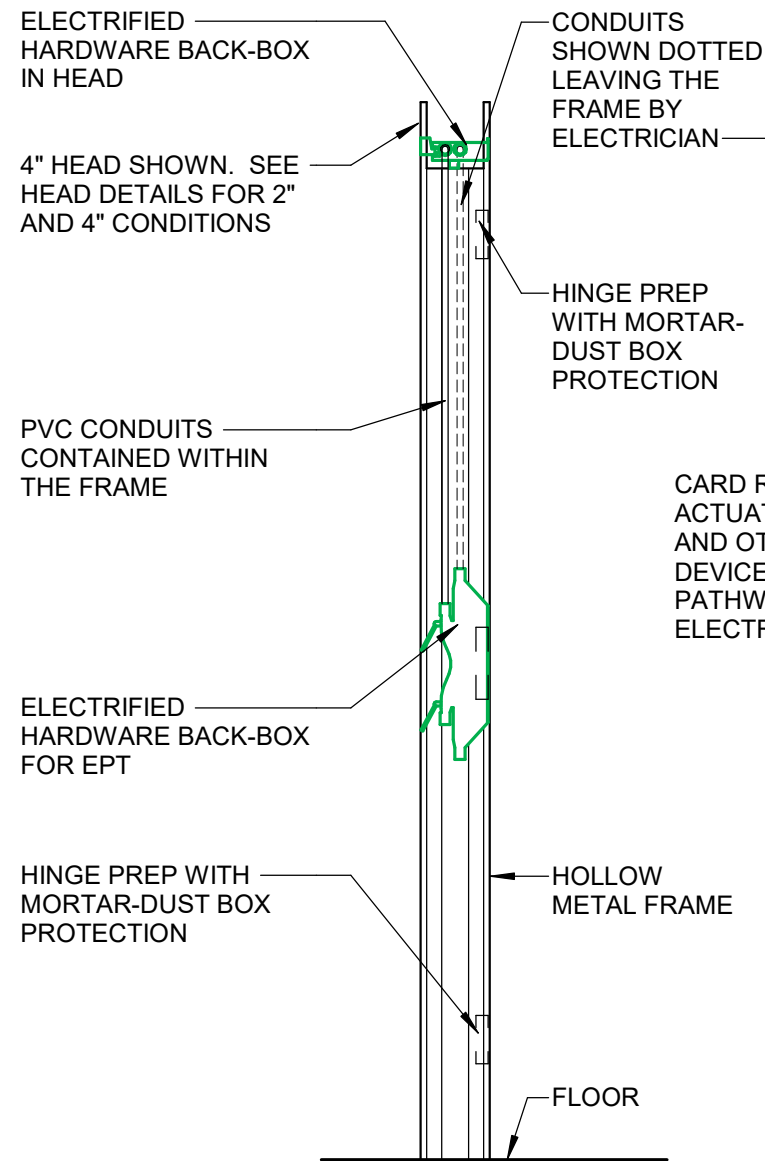
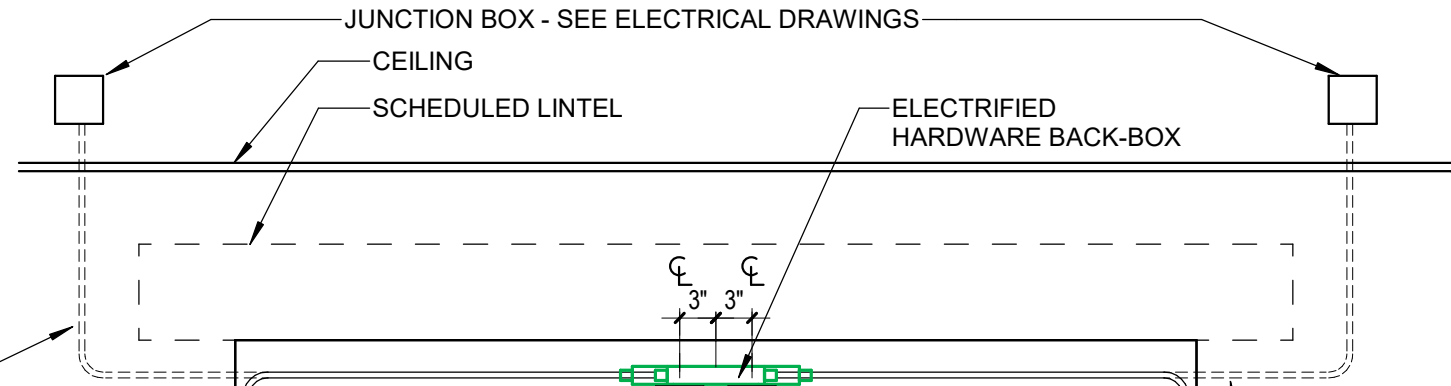
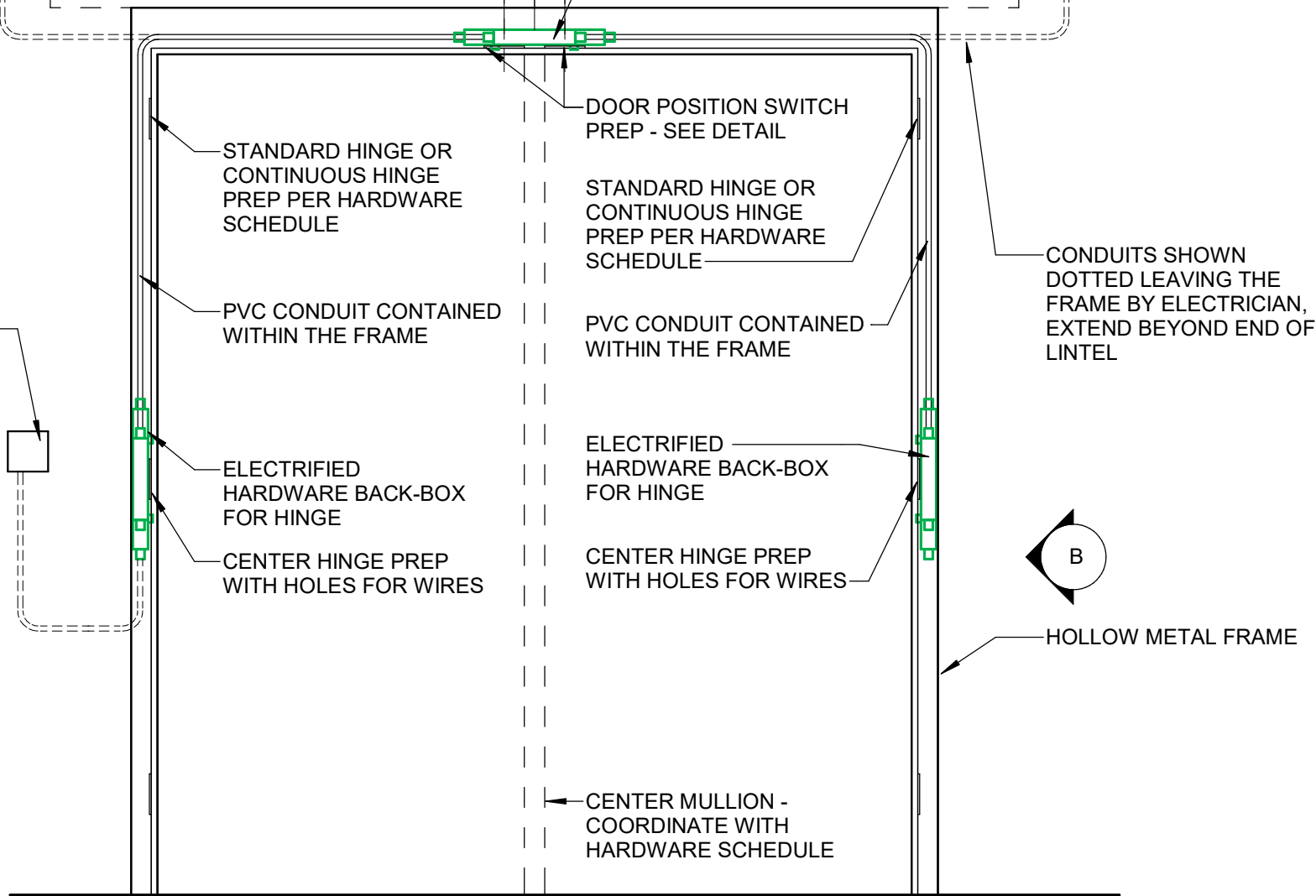


**DOOR PLAN**



**JAMB ELEVATION B**



**DOOR ELEVATION**



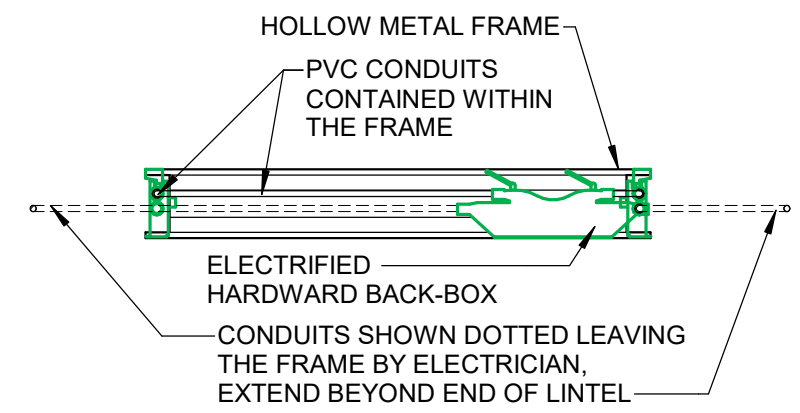
**FRAMEFROG**  
 TADPOLE PRODUCTS, LLC  
 223 FAIRFIELD AVE  
 BELLEVUE, KY 41073  
 513.702.5436  
 INFO@FRAMEFROG.US

**FRAME PLAN AND ELEVATIONS**  
**ELECTRIC HINGE**  
**DOUBLE DOOR**

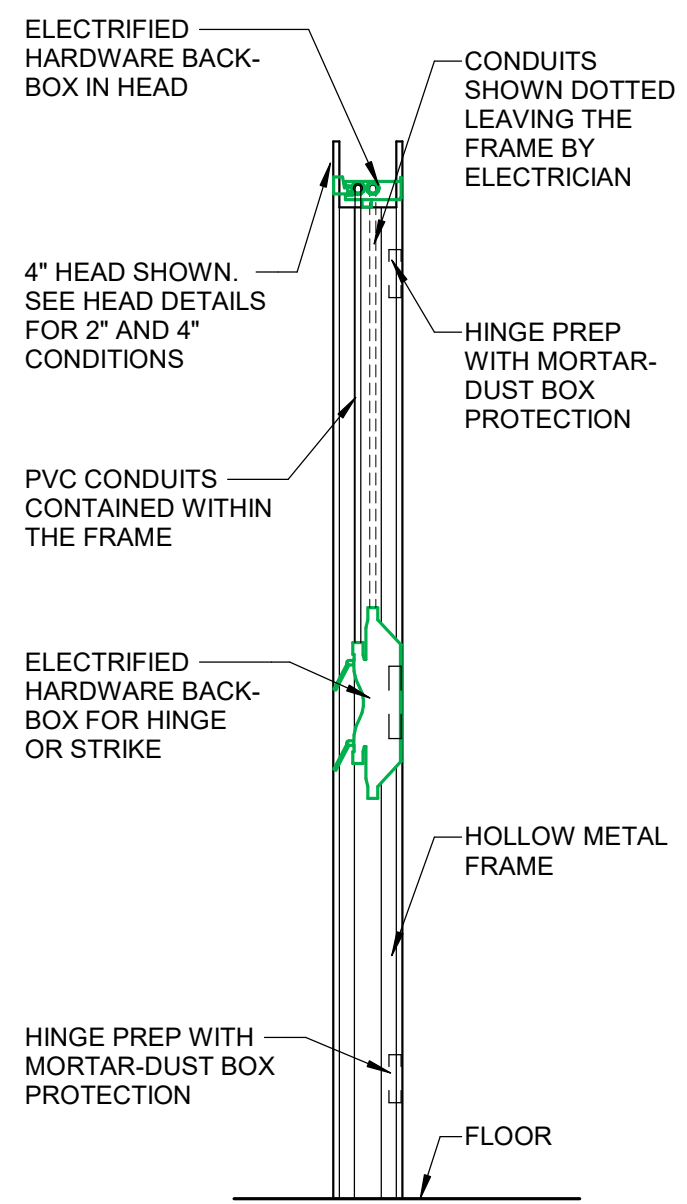
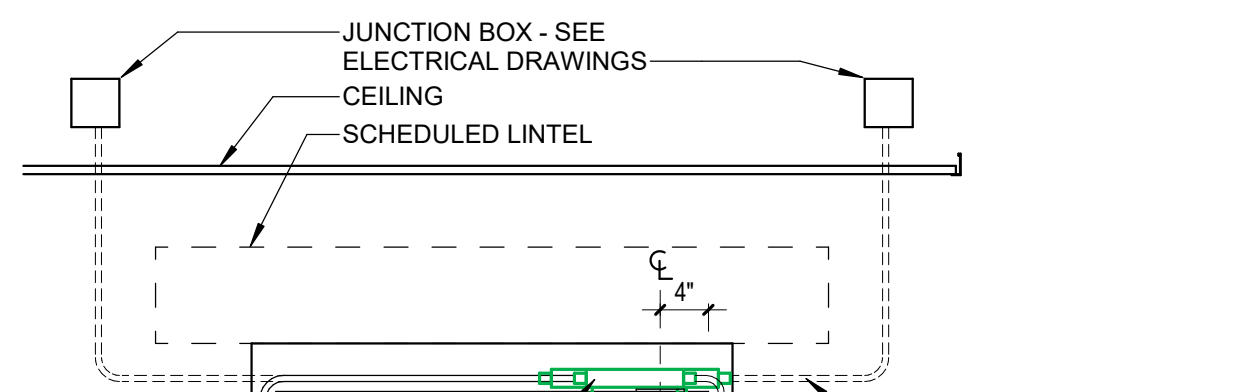
SCALE: 3/4" = 1'-0"

**FRG.1**

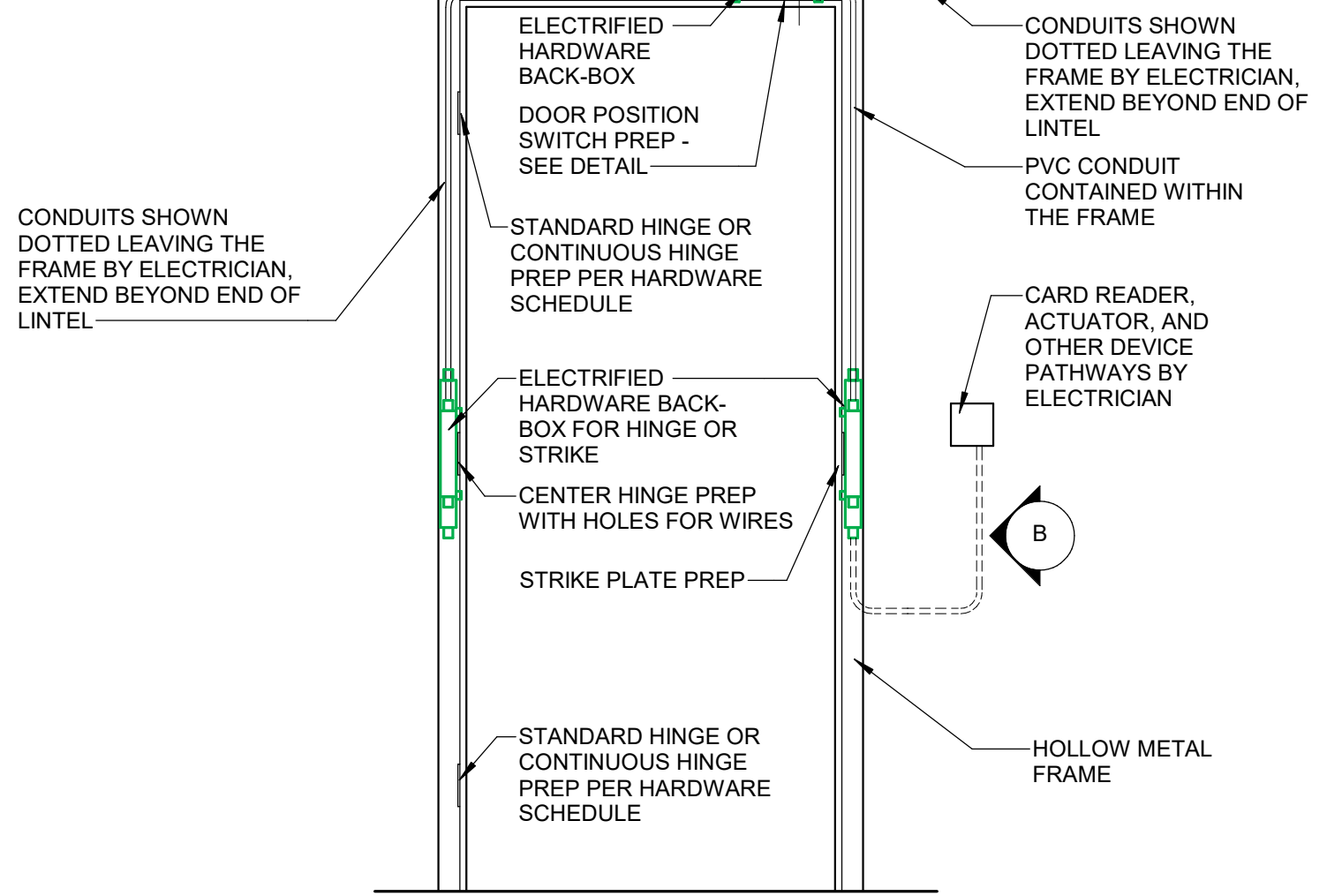
DATE  
 05.13.2021



**DOOR PLAN**



**JAMB ELEVATION B**



**DOOR ELEVATION**



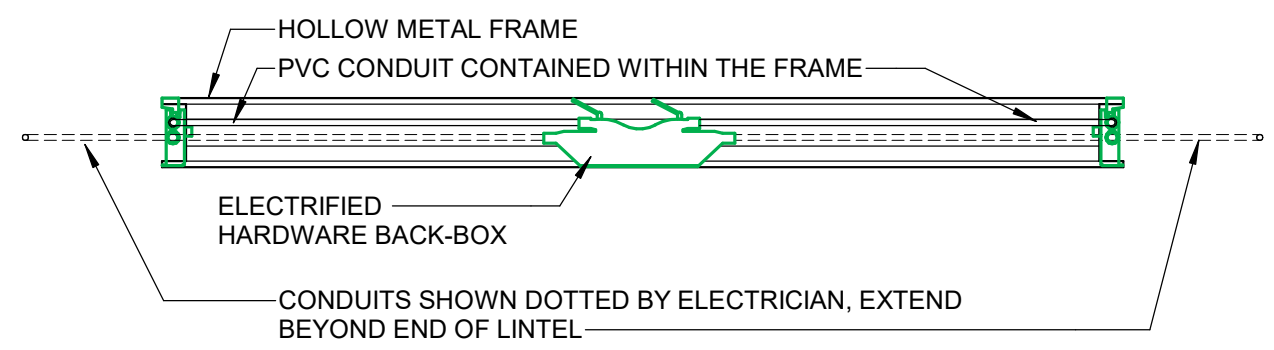
**FRAMEFROG**  
 TADPOLE PRODUCTS, LLC  
 223 FAIRFIELD AVE  
 BELLEVUE, KY 41073  
 513.702.5436  
 INFO@FRAMEFROG.US

**FRAME PLAN AND ELEVATIONS**  
**ELECTRIC HINGE**  
**SINGLE DOOR**

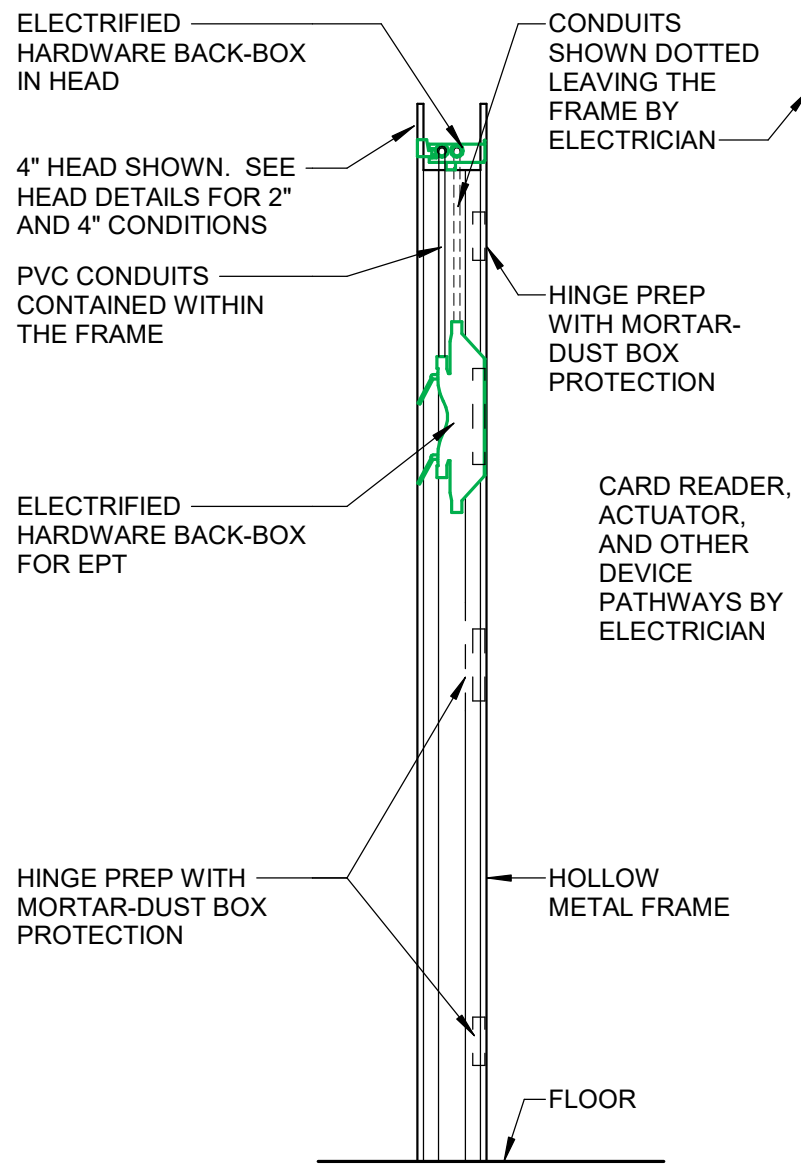
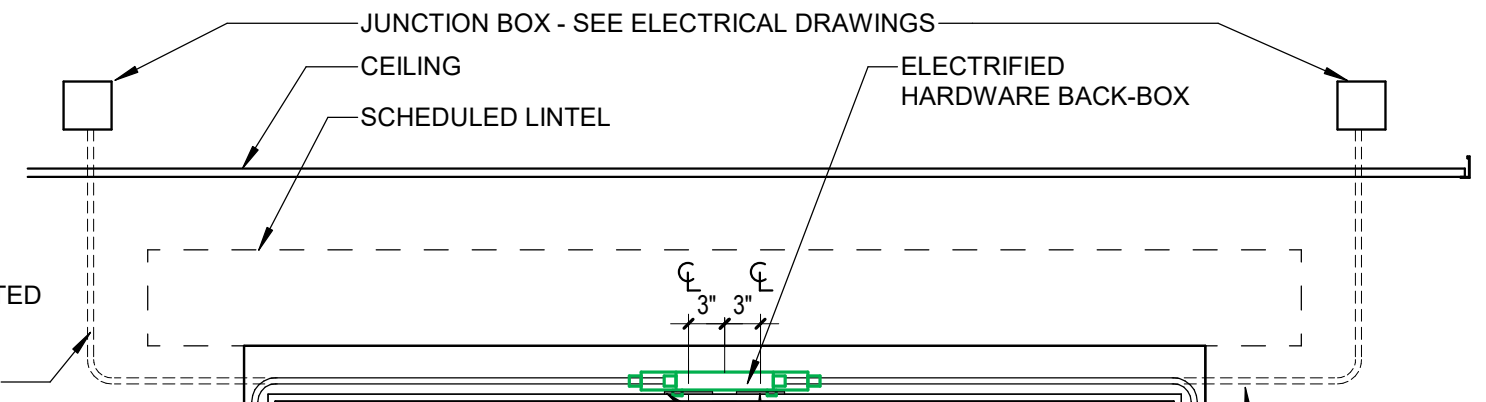
SCALE: 3/4" = 1'-0"

**FRG.2**

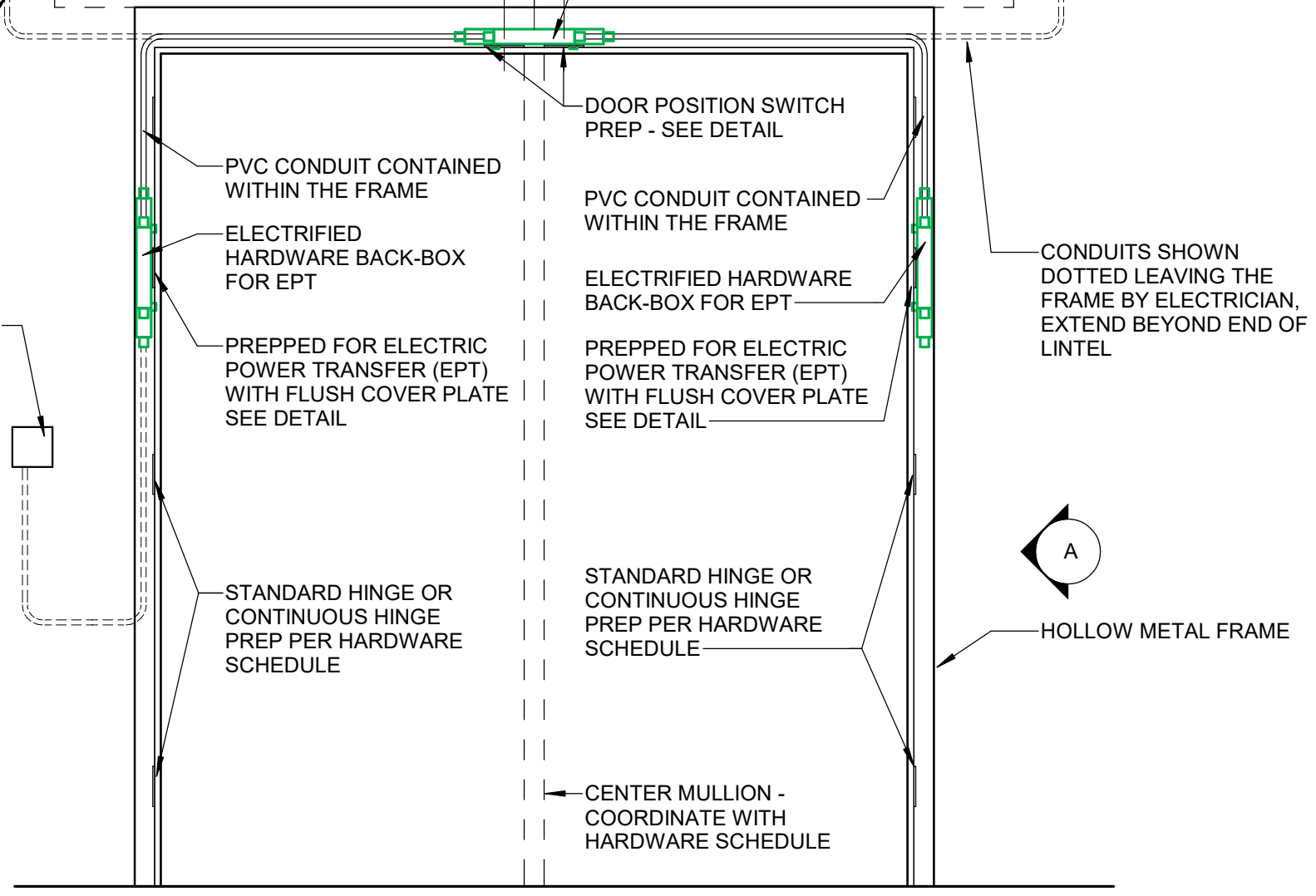
DATE  
 05.13.2021



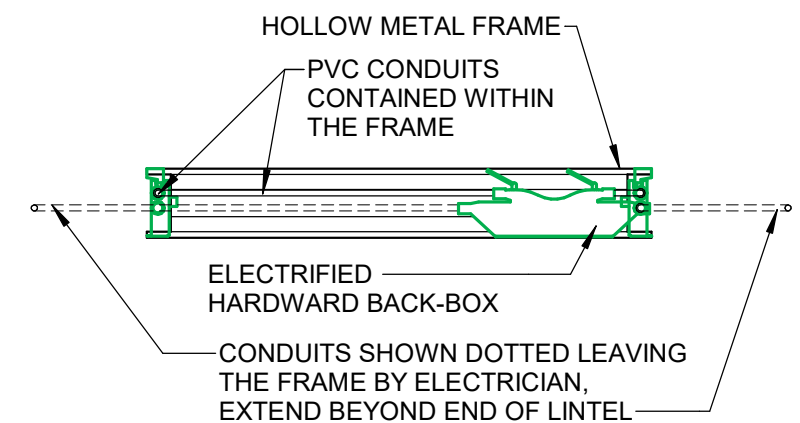
**DOOR PLAN**



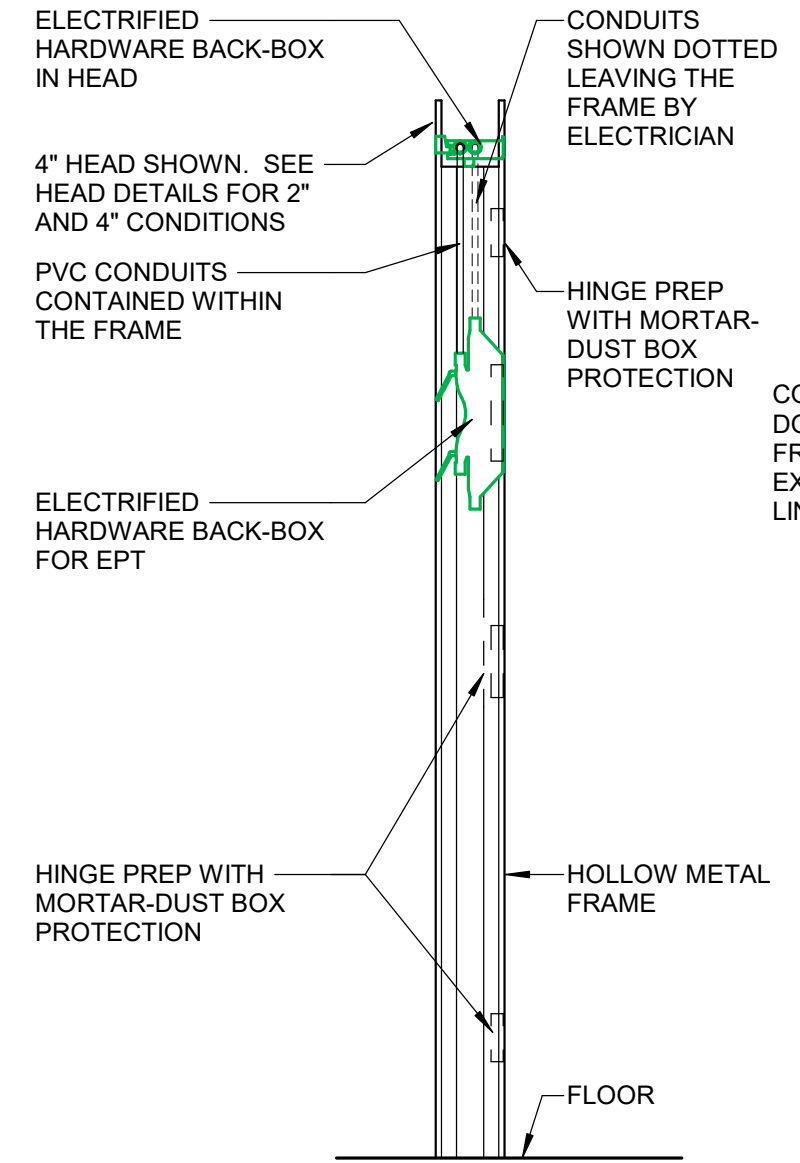
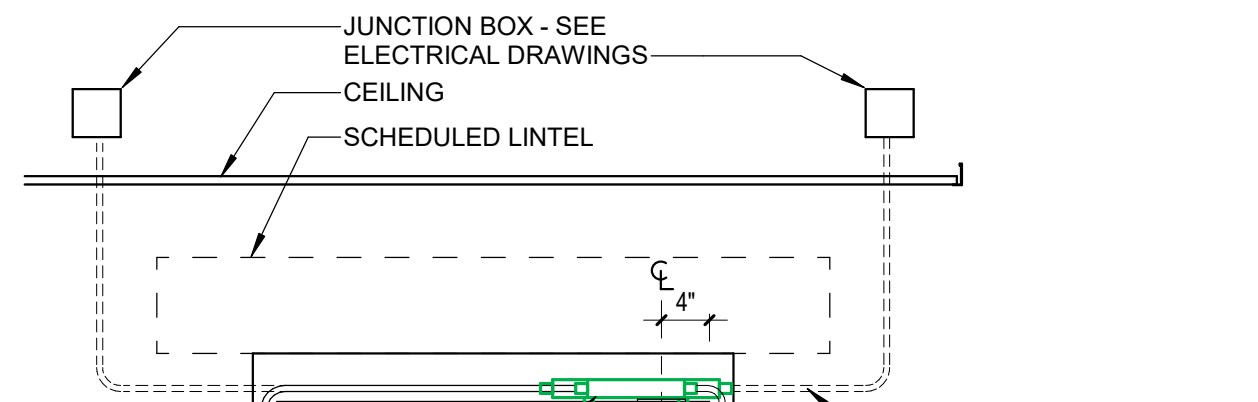
**JAMB ELEVATION A**



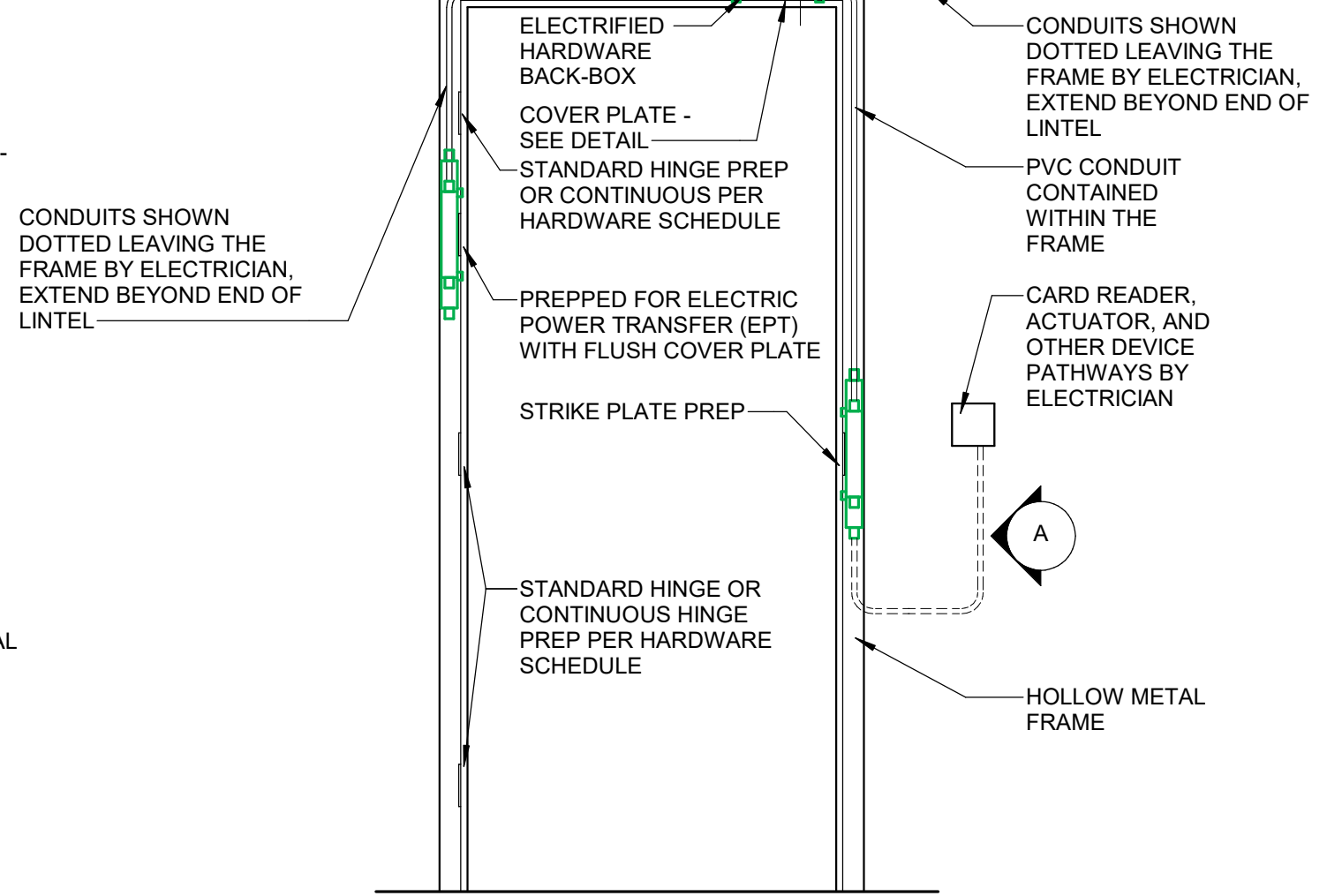
**DOOR ELEVATION**



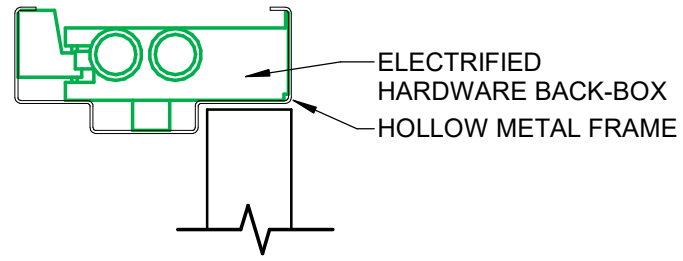
**DOOR PLAN**



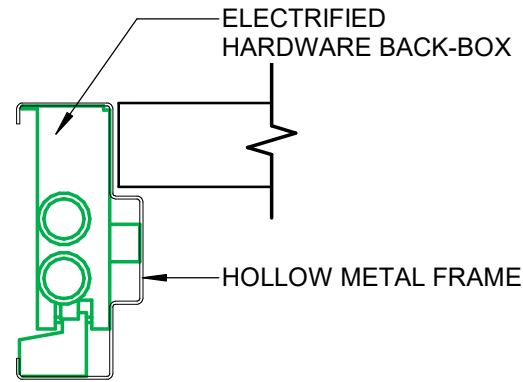
**JAMB ELEVATION A**



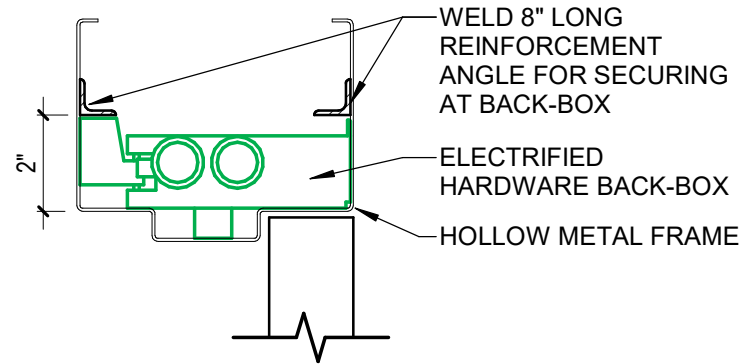
**DOOR ELEVATION**



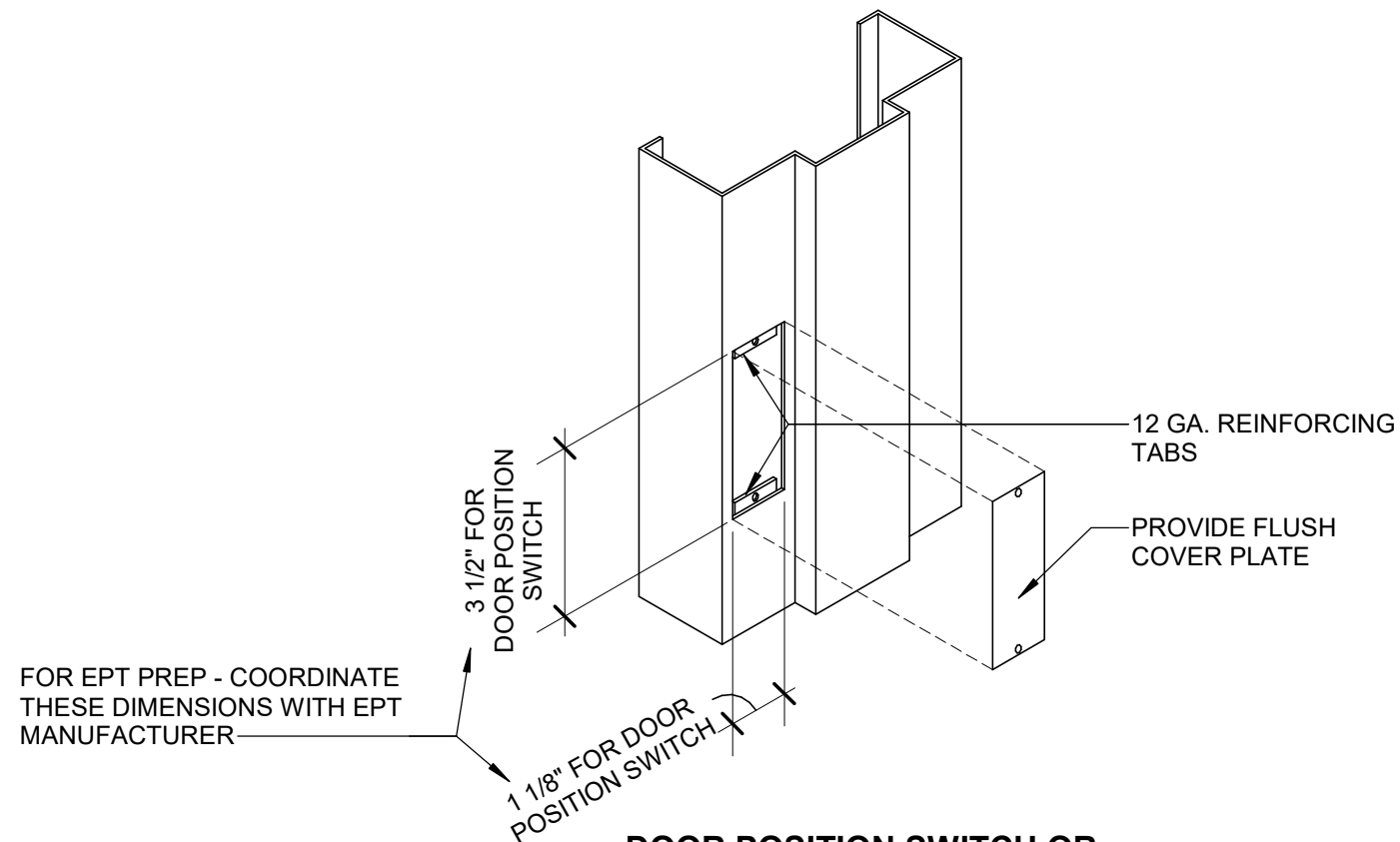
**ELECTRIFIED HARDWARE BACK-BOX SECTION @ 2" HEAD**



**ELECTRIFIED HARDWARE BACK-BOX SECTION @ JAMB**

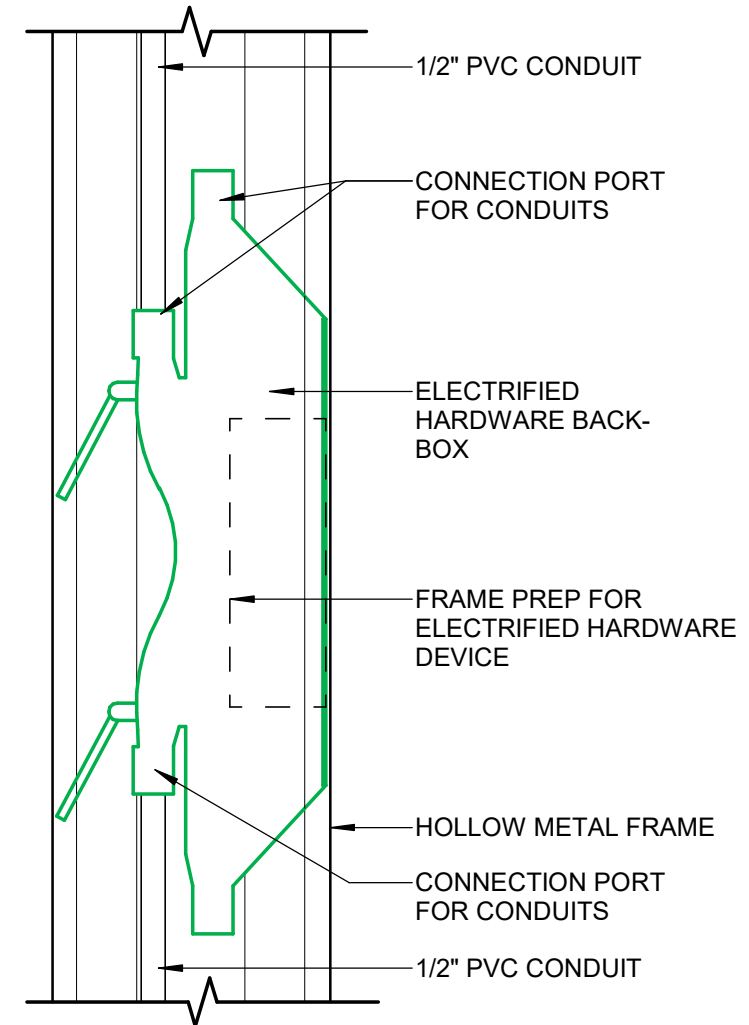


**ELECTRIFIED HARDWARE BACK-BOX SECTION @ 4" HEAD**



**DOOR POSITION SWITCH OR ELECTRIC POWER TRANSFER (EPT) COVER PLATE DETAIL**

FOR EPT PREP - COORDINATE THESE DIMENSIONS WITH EPT MANUFACTURER



**ELECTRIFIED HARDWARE BACK-BOX ELEVATION**



**FRAMEFROG**  
 TADPOLE PRODUCTS, LLC  
 223 FAIRFIELD AVE  
 BELLEVUE, KY 41073  
 513.702.5436  
 INFO@FRAMEFROG.US

**ELECTRIFIED HARDWARE BACK-BOX DETAILS**

SCALE: 3" = 1'-0"

**FRG.5**

DATE  
 05.13.2021